

Metal tank plugs with optional breather (EAPD & EAPA series)

The EAPD and EAPA plugs are made of aluminium alloy with a milled hexagonal head. A Flexoid gasket assures a reliable sealing of the tank. Optionally all plugs can be ordered with a 2 mm breather hole to maintain atmospheric pressure level inside the tank.

For different materials, threads, labels please contact our sales department.



Type	Breather	F	C	H	L	D
EAPD-1/8"G	No	1/8" G	14	8	14	16
EAPD-1/4"G		1/4" G	17	9	16	20
EAPD-3/8"G		3/8" G	18	9	17	22
EAPD-1/2"G		1/2" G	22	9	17	28
EAPD-3/4"G		3/4" G	27	10	19	35
EAPD-1"G		1" G	34	12.5	23.5	42
EAPA-1/8"G	YES	1/8" G	14	8	14	16
EAPA-1/4"G		1/4" G	17	9	16	20
EAPA-3/8"G		3/8" G	18	9	17	22
EAPA-1/2"G		1/2" G	22	9	17	28
EAPA-3/4"G		3/4" G	27	10	19	35
EAPA-1"G		1" G	34	12.5	23.5	42

Type	Breather	F	C	H	L	D
EAPD-10x1	No	M10x1	14	8	14	16
EAPD-14x1.5		M14x1.5	17	9	16	20
EAPD-16x1.5		M16x1.5	18	9	17	22
EAPD-18x1.5		M18x1.5	20	9	17	26
EAPD-20x1.5		M20x1.5	22	9	17	28
EAPD-22x1.5		M22x1.5	22	9	17	28
EAPA-10x1	YES	M10x1	14	8	14	16
EAPA-14x1.5		M14x1.5	17	9	16	20
EAPA-16x1.5		M16x1.5	18	9	17	22
EAPA-18x1.5		M18x1.5	20	9	17	26
EAPA-20x1.5		M20x1.5	22	9	17	28
EAPA-22x1.5		M22x1.5	22	9	17	28

Metal plugs with permanent magnet (EAPM series)

The EAPM plugs are made of aluminium alloy with a milled hexagonal head and a cobalt alloy magnet. A Flexoid gasket assures a reliable sealing of the tank. The EAPM plugs – used as tank drain plugs – catch metal particles in the oil tank.



Type	F	C	D	H	L	A	B
EAPM-1/4"G	1/4" G	17	20	16	16	6	6
EAPM-3/8"G	3/8" G	18	22	17	17	8	6
EAPM-1/2"G	1/2" G	22	28	17	17	8	8
EAPM-3/4"G	3/4" G	27	35	19	19	10	11
EAPM-1"G	1" G	34	42	23.5	23.5	10	7

Type	F	C	D	H	L	A	B
EAPM-14x1.5	M14x1.5	17	20	9	17	6	6
EAPM-16x1.5	M16x1.5	18	22	9	17	8	6
EAPM-18x1.5	M18x1.5	20	26	9	17	8	6
EAPM-20x1.5	M20x1.5	22	28	9	17	10	8
EAPM-22x1.5	M22x1.5	22	28	9	17	10	8

Technical specification subject to change without prior notice. Other specification on request. 2013/07/23

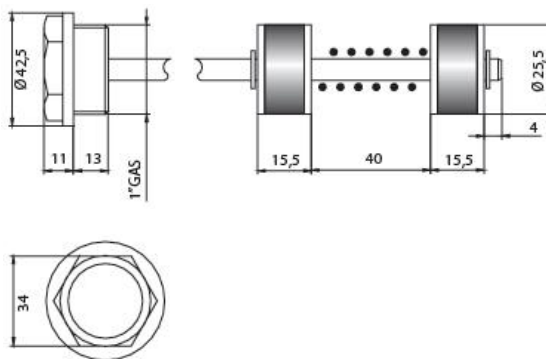
Metal plug with level rod and magnetic elements (EAPS series)

The EAPS plugs are made of aluminium alloy with a milled hexagonal head, a zinc plated steel rod and permanent ferric alloy magnets. A plain copper washer assures a reliable sealing of the tank. The EAPS plugs have the same characteristics of magnetic columns, but are more economical.

Depending on the length of the rod, it comes supplied with one, two or three magnets. Standard length 600 mm, shorter on request.

Order no.:

EAPS2-600

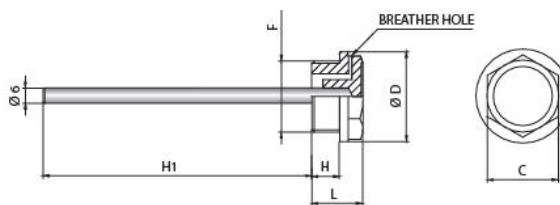


Metal plugs with level rod (EAPN series)

The EAPN plugs are made of aluminium alloy with a milled hexagonal head and a zinc plated steel rod. A plain copper washer assures a reliable sealing of the tank.

Optionally all of the plugs are available with a 2mm breather hole. Please add a "B" at the end of the item number to order the breather version.

On request the rod is supplied with engraved minimum and maximum oil level marks.



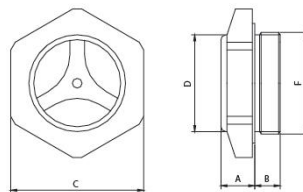
Type	F	C	D	H	L	BH	H1	Type	F	C	D	H	L	BH	H1
EAPN-1/8"G	1/8" G	14	16	4.5	8	1.5	-	EAPN-10x1	M10x1	14	16	4.5	8	1.5	-
EAPN-1/4"G	1/4" G	17	20	5	9	2	196.5	EAPN-14x1.5	M14x1.5	17	20	5	9	2	196.5
EAPN-3/8"G	3/8" G	18	22	5	9	3	196	EAPN-16x1.5	M16x1.5	18	22	5	9	3	196
EAPN-1/2"G	1/2" G	22	28	5	9	3	196	EAPN-18x1.5	M18x1.5	20	26	5	9	3	196
EAPN-3/4"G	3/4" G	27	35	6	10	3	195	EAPN-20x1.5	M20x1.5	22	28	5	9	3	195
EAPN-1"G	1" G	34	42	8	12.5	3	200	EAPN-22x1.5	M22x1.5	22	28	5	9	3	200

Technical specification subject to change without prior notice. Other specification on request. 2013/07/23

Visual oil level indicator plug (EAPP series)

The EAPP plugs are made of D115 aluminium alloy with oil proof aluminium gaskets and a thermoplastic sight window. The sight window is shock proof and the transparency does not change with age or temperature. It can be used up to a maximum temperature of 80°C and a pressure of 10 bar.

On request EAPP plugs can be supplied in anodized aluminium and OT58 brass. For special applications with maximum temperatures up to 200°C and a pressure of 15 bar, a version with internal Viton O-ring and Pyrex window is available.

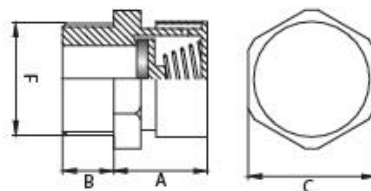


Type	F	A	B	C	D
EAPP-1/4"G	1/4" G	8	8	17	9
EAPP-3/8"G	3/8" G	9	9	22	11
EAPP-1/2"G	1/2" G	9	10	27	16
EAPP-3/4"G	3/4" G	10	12	32	20
EAPP-1"G	1" G	11	14	40	25
EAPP-1 1/4"G	1 1/4" G	17	12	50	40
EAPP-1 1/2"G	1 1/2" G	13	13	55	40

Type	F	A	B	C	D
EAPP-14x1.5	M14x1.5	8	8	17	9
EAPP-16x1.5	M16x1.5	9	9	22	11
EAPP-20x1.5	M20x1.5	9	10	24	16
EAPP-22x1.5	M22x1.5	9	10	27	16

Breather plug with valve (EAPB series)

The EAPB breather plugs are made of OT58 brass and are equipped with a valve preset to an opening pressure of 0.25 to 0.3 bar.

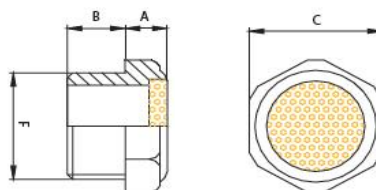


Type	F	A	B	C
EAPB-1/8"G	1/8" G	16	8	15
EAPB-1/4"G	1/4" G	18	9	17
EAPB-3/8"G	3/8" G	19	9	20
EAPB-1/2"G	1/2" G	22	10	27
EAPB-3/4"G	3/4" G	25	12	32

Type	F	A	B	C
EAPB-10x1	M10x1	16	8	15
EAPB-12x1.5	M12x1.5	18	8	19
EAPB-14x1.5	M14x1.5	18	8	17
EAPB-16x1.5	M16x1.5	18	12	22
EAPB-18x1.5	M18x1.5	20	10	22
EAPB-20x1.5	M20x1.5	20	10	24
EAPB-22x1.5	M22x1.5	20	10	27

Silencer plug with PAD (EAPD series)

The EAPD silencer plugs are made of OT58 brass and are equipped with a sintered pad, which condenses vapour and thus separates it from air.



Type	F	A	B	C
EAPD-1/8"G	1/8" G	9	6	14
EAPD-1/4"G	1/4" G	9	8	17
EAPD-3/8"G	3/8" G	9	9	19
EAPD-1/2"G	1/2" G	11	10	24

Technical specification subject to change without prior notice. Other specification on request. 2013/07/23

Visual oil level indicator plugs (EAPV series)

The EAPV oil level indicators are made of transparent polyamide based techno-polymer (PA-T), which is resistant to solvent, oil with additives, greases, acids and alkali. Contact with alcohol should be avoided.

For an increased visibility of the oil level, the indicators are equipped with a magnifying lens and a star shaped anodized aluminium screen with a red centre point.

EAPV plugs can be used in environments with a maximum temperature of 110°C.



Type	Torque	d1	A	B	D	d	S
EAPV-1/4"G	3 Nm	1/4" G	8	8	17	9	15
EAPV-3/8"G	5 Nm	3/8" G	9	9	22	11	19
EAPV-1/2"G	6 Nm	1/2" G	9	10	27	16	22
EAPV-3/4"G	8 Nm	3/4" G	10	12	32	20	27
EAPV-1"G	10 Nm	1" G	11	14	40	25	34
EAPV-1 1/4"G	10 Nm	1 1/4" G	17	12	50	40	40.5

Type	Torque	d1	A	B	D	d	S
EAPV-16x1.5	3 Nm	M16x1.5	8	7	22	11	19
EAPV-20x1.5	10 Nm	M20x1.5	9.5	8	26	14	22
EAPV-25x1.5	10 Nm	M25x1.5	8	9	31.5	18	27
EAPV-26x1.5	10 Nm	M26x1.5	13	9	31.5	18	27
EAPV-27x1.5	10 Nm	M27x1.5	9	9	31.5	20	27
EAPV-30x1.5	10 Nm	M30x1.5	9	10	35	22	30
EAPV-35x1.5	10 Nm	M35x1.5	11	10	40	25	34
EAPV-40x1.5	10 Nm	M40x1.5	11.5	13	47.5	30	40.5

Visual Oil level indicator plug (EAPC series)

The EAPC oil level indicators are made of transparent polyamide based techno-polymer (PA-T), which is resistant to solvent, oil with additives, greases, acids and alkali. Contact with alcohol should be avoided.

The prismatic window allows a clear reading of the oil level in the reservoir.

EAPC plugs can be used in environments with a maximum temperature of 130°C.

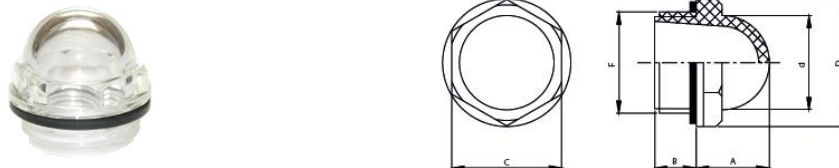


Type	Torque	F	B	A	D	d	C
EAPC-1/4"G	3 Nm	1/4" G	10	6	18	9	15
EAPC-3/8"G	5 Nm	3/8" G	7.5	7	22	11	19
EAPC-1/2"G	6 Nm	1/2" G	10.5	8	26	14	22
EAPC-3/4"G	8 Nm	3/4" G	10.5	9	31.5	20	27
EAPC-1"G	10 Nm	1" G	11	10	40	25	34

Visual oil level indicator plugs (EAPR series)

The EAPR oil level indicators are made of transparent polyamide based techno-polymer (PA-T).

EAPR plugs can be used in environments with a maximum temperature of 110°C.



Type	Torque	F	B	A	D	d	C
EAPR-3/8"G	5 Nm	3/8" G	7.5	13	22.5	15	19
EAPR-1/2"G	6 Nm	1/2" G	10.5	16	26	19	22
EAPR-3/4"G	8 Nm	3/4" G	10.5	19.5	31.5	25	27
EAPR-1"G	10 Nm	1" G	11	24	42	31	36
EAPR-1 1/4"G	15 Nm	1 1/4" G	11.5	26.5	46.5	38	40.5