

EFDA Series



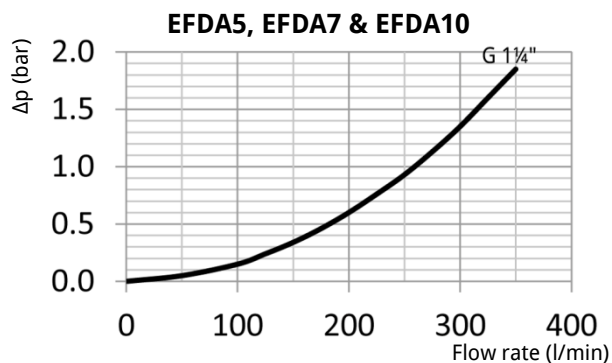
Technical specification

Application:	In-line duplex filter
Ports:	G1¼", G1½", SAE DN40 3000psi
Flow rate:	max. 400 l/min
Working pressure:	max. 25 bar
Burst pressure:	min. 75 bar
Element collapse pressure:	21 bar
By-pass opening pressure:	Δp 3.5 bar \pm 0.5 bar or Δp 7 bar \pm 0.5 bar
Clogging indicator setting:	Δp 2.5 bar \pm 10% or Δp 5 bar \pm 10%
Seals:	NBR (-10°C to 100°C)
Material:	Aluminium Head and Bowl
Compatibility:	Suitable for mineral oils, lubrication oils, non-flam fluids, synthetic and rapidly biodegradable oils (for use with water, please contact our technical dept.)
Tested according to ISO standards:	ISO2941 Collapse/burst resistance ISO2942 Fabrication integrity ISO2943 Material compatibility integrity ISO3723 Method for end load test ISO3724 Flow fatigue characteristics ISO3968 Pressure drop vs. Flow ISO16889 Multi-pass (filtration performance)

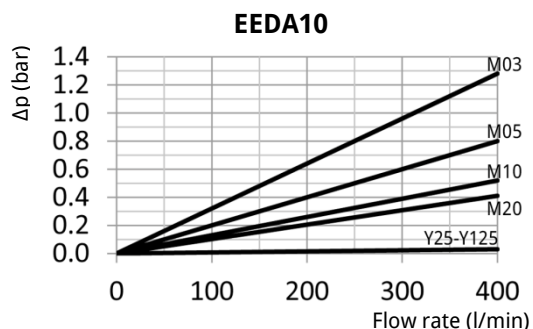
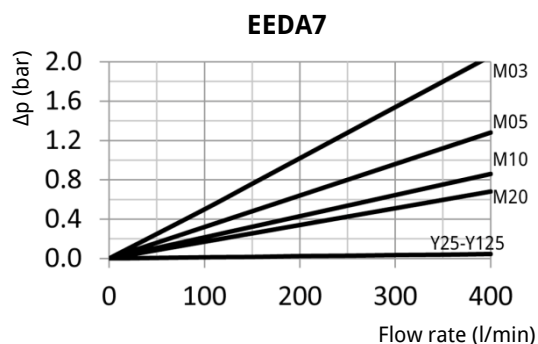
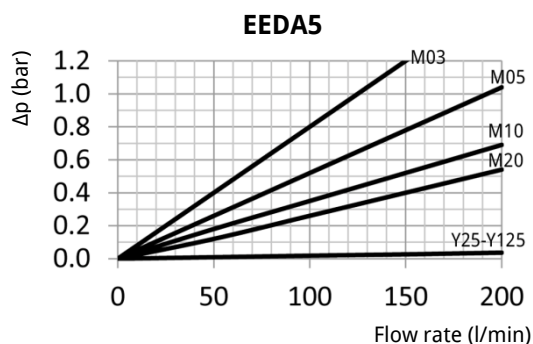
Technical specification subject to change without prior notice. Other specification on request. 2016/07/13

Pressure drop graphs (Δp)

Pressure drop of filter housing (mainly depending on port size)



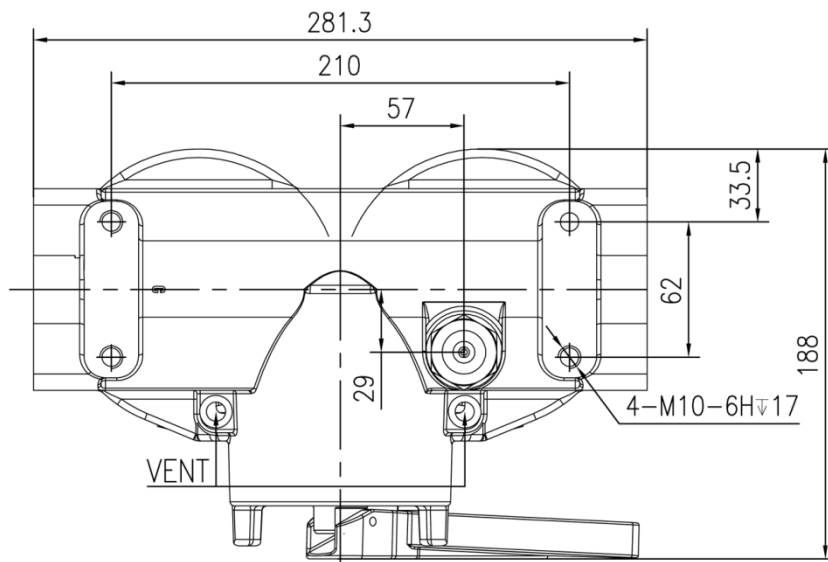
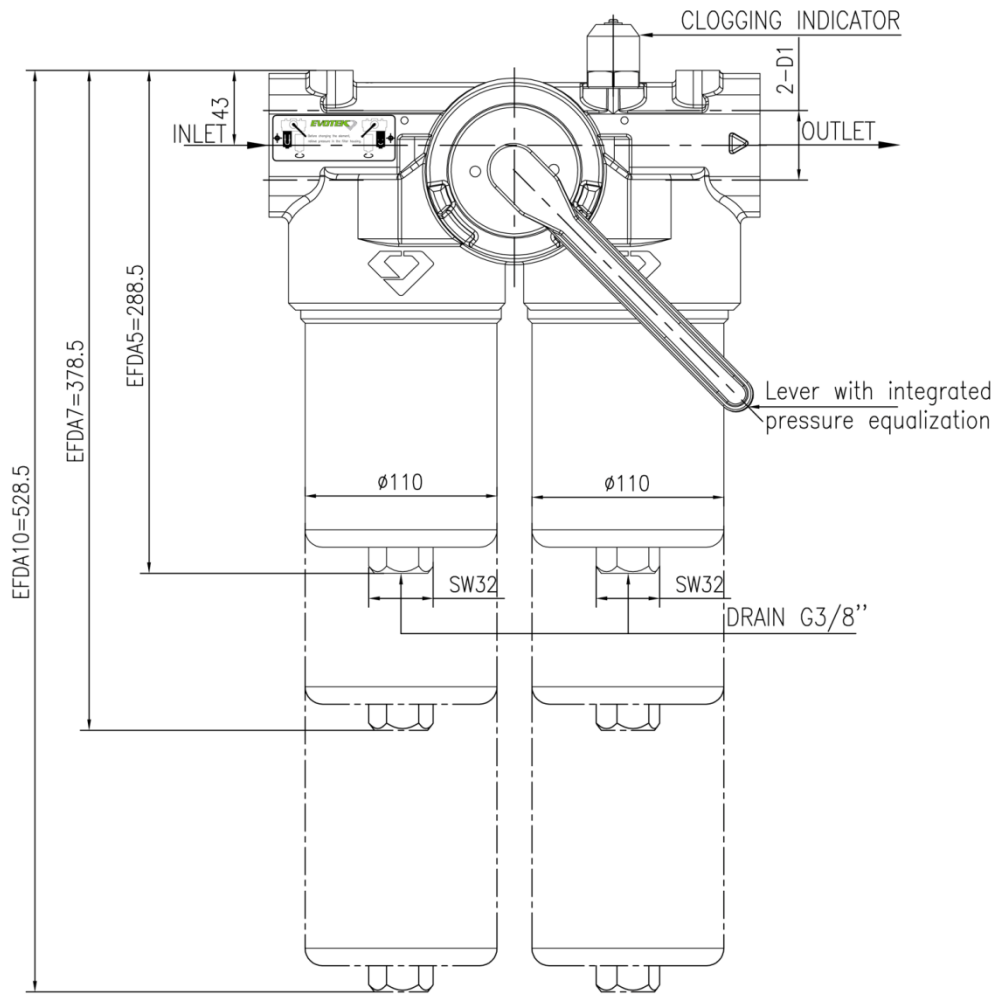
Pressure drop of clean filter elements (fibreglass filter media)



The test fluid has a density of 0.86 kg/dm³ and a kinematic viscosity of 30 mm²/s.

Technical specification subject to change without prior notice. Other specification on request. 2016/07/13

Dimensional drawings



Technical specification subject to change without prior notice. Other specification on request. 2016/07/13

Order information

Filter assembly part number

	Housing					Element	Accessories	
	Type	Size	Connection	By-pass	Seal	Media	Indicator	Special
	EFDA	Table 1	Table 2	Table 3	Table 4	Table 5	Table 6	X
Example	EFDA	5	BE	09	B	M10	V25	X

Element part number

	Element			
	Type	Size	Seal	Media
	EEDA	Table 1	Table 4	Table 5
Example	EEDA	5	B	M10

Tables

Table 1	
EVO size	Flow rate (l/min)
EFDA5	160
EFDA7	250
EFDA10	400

Table 2			
Connection			Size
BE	BF	FE	
G1¼"	G1½"	SAE DN40 3000psi	
•	•	•	
•	•	•	
•	•	•	EFDA5
•	•	•	EFDA7
•	•	•	EFDA10

Table 3	
By-pass	Open pressure
00	None
09	3.5 bar
12	7 bar
X	Special

Table 4	
Seal	Material
B	NBR
V	FKM

Table 5			
Media	Material	Filtration	Collapse
M03	Fibreglass	3 µm	21 bar
M05	Fibreglass	5 µm	21 bar
M10	Fibreglass	10 µm	21 bar
M20	Fibreglass	20 µm	21 bar
Y25	Wire mesh	25 µm	21 bar
Y60	Wire mesh	60 µm	21 bar
Y90	Wire mesh	90 µm	21 bar
Y125	Wire mesh	125 µm	21 bar

Table 6		
Indicator	Pressure	Type
00	-	None
V25	2.5 bar	visual
E25	2.5 bar	visual/electric
V50	5 bar	visual
E50	5 bar	visual/electric

Technical specification subject to change without prior notice. Other specification on request. 2016/07/13