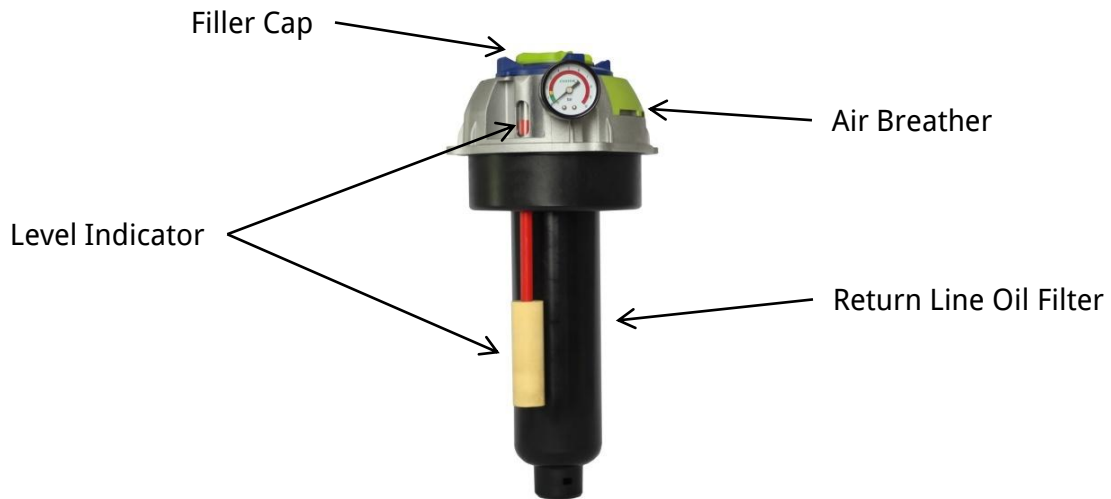


EFRE Series



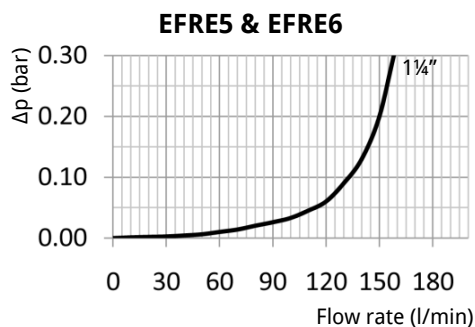
Technical specification

Application:	Tank top return filter with integrated level indicator, air breather & refill filtration
Connection:	G 1¼", SAE16
Oil flow rate:	max. 130 l/min
Air flow rate:	max. 1350 l/min
Burst pressure:	min. 10 bar
Element collapse pressure:	10 bar
By-pass opening pressure:	Δp 1.7 bar \pm 10%
Seals:	NBR or FKM, -10°C to 100°C
Material:	Aluminium head, plastic bowls and covers
Compatibility:	Suitable for mineral oils, lubrication oils, non-flam fluids, synthetic and rapidly biodegradable oils according to ISO2943 (for use with water, please contact our technical dept.)
Tested according to ISO standards:	ISO2941 Collapse/burst resistance ISO2942 Fabrication integrity ISO2943 Material compatibility integrity ISO3723 Method for end load test ISO3724 Flow fatigue characteristics ISO3968 Pressure drop vs. Flow ISO16889 Multi-pass (filtration performance)

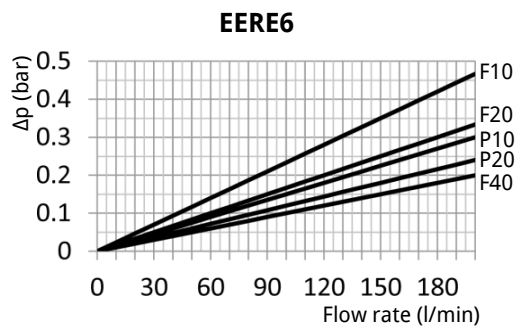
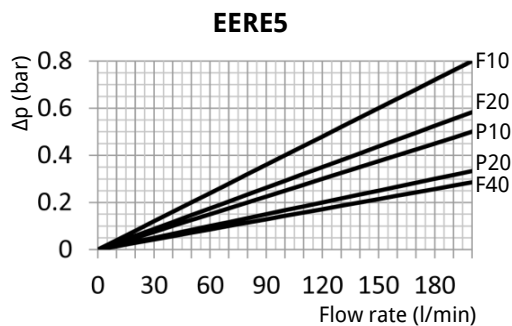
Technical specification subject to change without prior notice. Other specification on request. 2013/07/23

Pressure drop graphs (Δp)

Pressure drop of filter housing (mainly depending on port size)

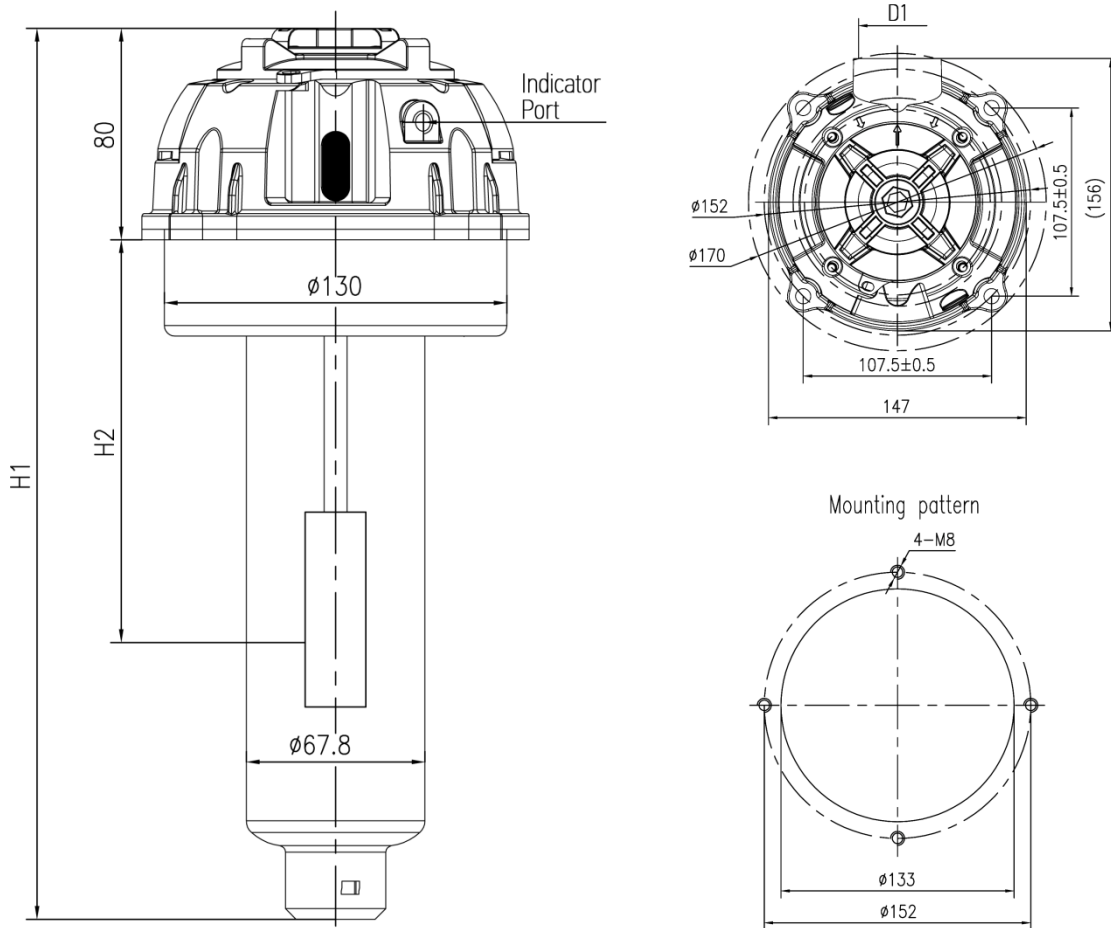


Pressure drop of clean filter elements



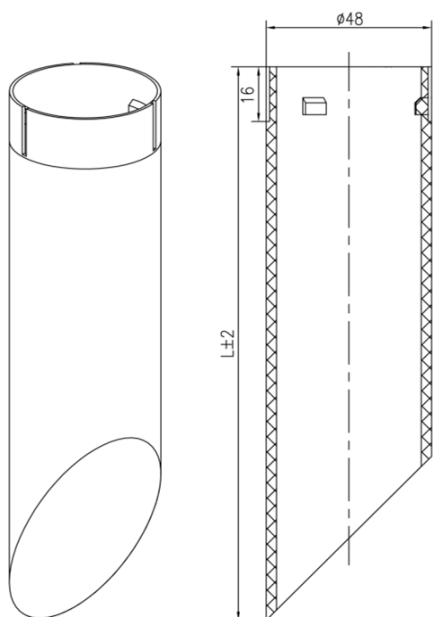
The test fluid has a density of 0.86 kg/dm^3 and a kinematic viscosity of $30 \text{ mm}^2/\text{s}$.

Dimensional drawings



Type	D1	H1	H2 (lowest oil level)	H2 (highest oil level)
EFRE5	G 1 1/4", SAE16	244	132	110
EFRE6		336	132	110

Extension tube



Type	Tank height	Tube length (L)
L60	400 mm	60 mm
L160	500 mm	160 mm
L210	550 mm	210 mm
L345	685 mm	345 mm
L356	696 mm	356 mm
L425	765 mm	425 mm

Technical specification subject to change without prior notice. Other specification on request. 2013/07/23

Order information

Filter assembly part number

	Housing					Element	Accessories	
	Type	Size	Connection	By-pass	Seal	Media	Gauge	Extension
	EFRE	Table 1	Table 2	Table 3	Table 4	Table 5	Table 6	Table 7
Example	EFRE	6	BE	06	B	P10	PA	00

Element part number

	Element			
	Type	Size	Seal	Media
	EERE	Table 1	Table 2	Table 4
Example	EERE	6	B	P10

Tables

Table 1	
EVO size	Flow rate (l/min)
EFRR5	100
EFRR6	130

Table 2		
Connection		Size
BE	ED	
G 1 ¼"	SAE16	
•	•	
•	•	EFRE5
•	•	EFRE6

Table 3	
By-pass	Open pressure
06	1.7 bar
X	Special

Table 4	
Seal	Material
B	NBR
V	FKM

Table 5			
Media	Material	Filtration	Collapse
P10	Cellulose	10 µm	10 bar
P20	Cellulose	20 µm	10 bar
F10	Fibreglass	10 µm	10 bar
F20	Fibreglass	20 µm	10 bar
F40	Fibreglass	40 µm	10 bar

Table 6		
Indicator	Pressure	Type
00	-	None
PA	0 – 10 bar	Axial gauge
PR	0 – 10 bar	Radial gauge
R15	1.5 bar	Pressure switch

Table 6	
Extension tube	Tank height
L60	400 mm
L160	500 mm
L210	550 mm
L345	685 mm
L356	696 mm
L425	765 mm

Technical specification subject to change without prior notice. Other specification on request. 2013/07/23