



## EFMT Series

### EVOTEK High Pressure Filters

#### Product Description

- Operating pressure up to 315 bar
- 110 l/min max. flow rate
- installation in manifold block mounting
- application in manifold block mounting
- compliant with industry relevant ISO standards(see ISO test below)

#### Technical Specifications

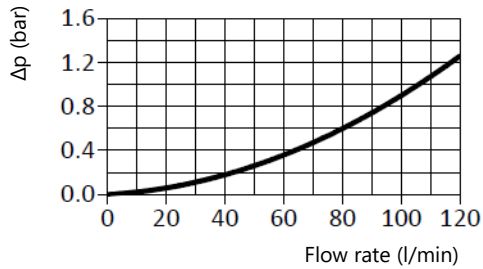
Application	Manifold mounting high pressure filter
Port Sizes:	15 mm
Flow Rate:	max. 110 l/min
Operating Pressure:	max. 315 bar
Burst Pressure:	min. 950 bar
Element Collapse Pressure:	10 bar ( P series), 21 bar ( M series) 210 bar (H series ), 30 bar (Y series)
By-pass Opening Pressure:	$\Delta p=6 \text{ bar} +0.6\text{bar}$
Material	
Seals:	NBR or FPM (-10°C to 100°C)
Filter Head:	S.G. cast iron
Filter Bowl:	forged steel
Compatibility:	Suitable for mineral oils, lubrication oils, non-flam fluids, synthetic and rapidly biodegradable oils (for use with water or other fields please contact our technical department)
Tested according to ISO standards:	ISO2941 Collapse/burst resistance ISO2942 Fabrication integrity ISO2943 Material compatibility integrity ISO3723 Method for end load test ISO3724 Flow fatigue characteristics ISO3968 Pressure Drop vs. Flow Rate ISO16889 Multi-Pass Test

# EFMT Manifold Mounting High Pressure Filter

Pressure Drop Graphs ( $\Delta p$ )

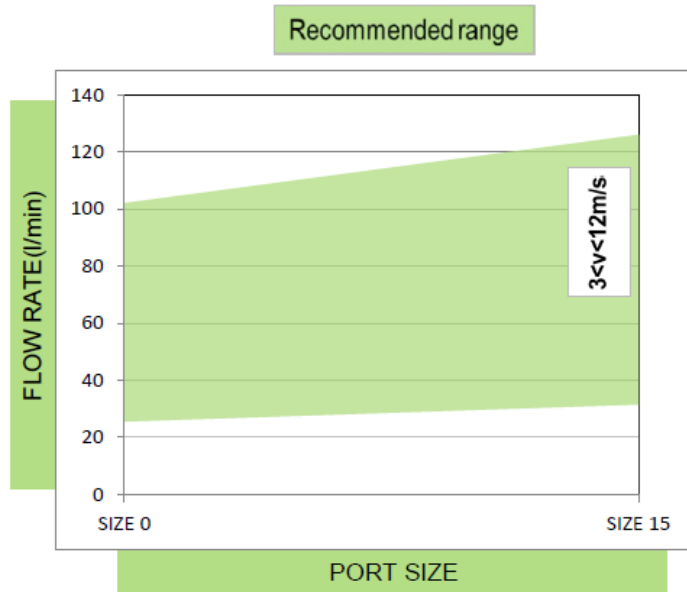
Pressure Drop of Filter Housing only

EFMT1, 2 & 3



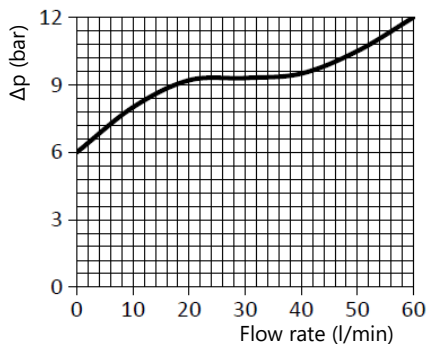
Graph of oil flow velocity

(we recommend to select size of the filter considering range of oil velocity between 3 to 12 m/s for pressure series)



Pressure drop graph on by-pass valve

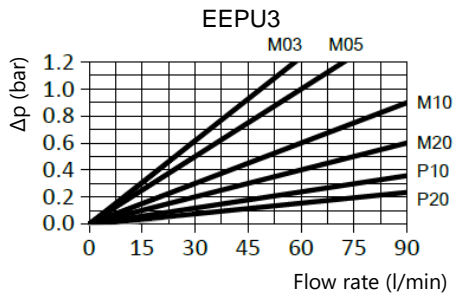
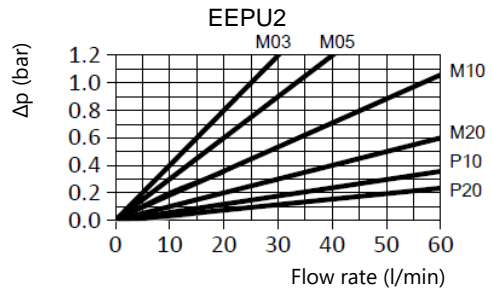
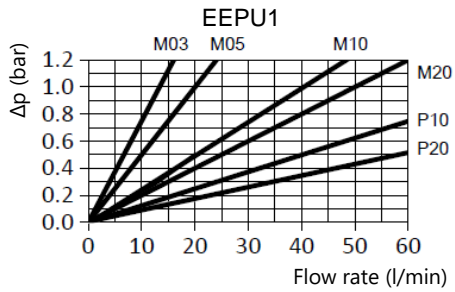
EFMT1,2 & 3



# EFMT Manifold Mounting High Pressure Filter

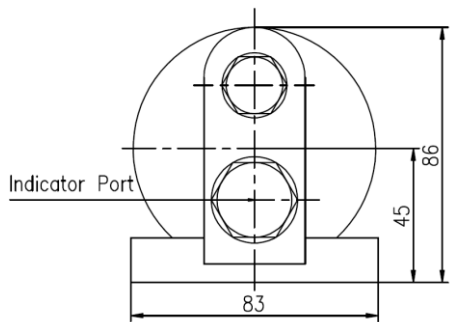
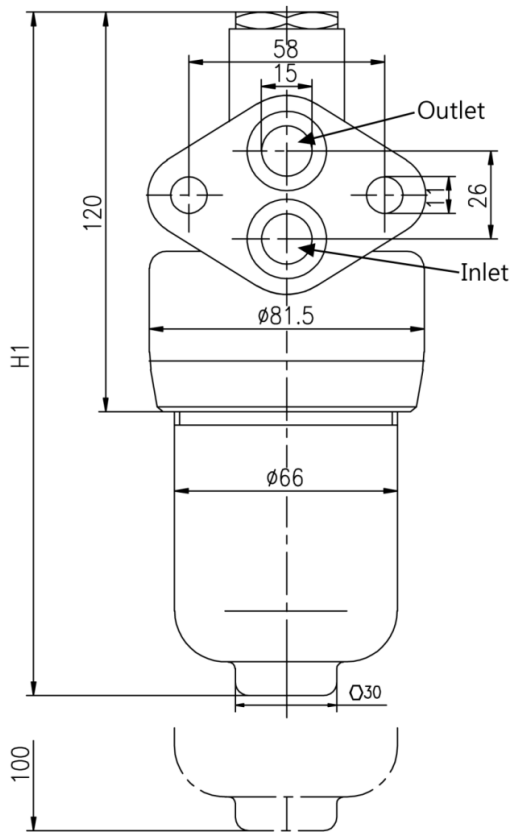
## Pressure Drop Graphs ( $\Delta p$ )

Pressure Drop with Clean Filter Elements (M and P filter media)



# EFMT Manifold Mounting High Pressure Filter

## Technical Drawings and Dimension



Type	Connection Port	Height		O-ring
	mm	h1	mm	
EFMT1	15	194	19X2.65	
EFMT2	15	225	19X2.65	
EFMT3	15	320	19X2.65	

# EFMT Manifold Mounting High Pressure Filter

## Order Codes

Filter Assembly Series	A	B	C	D	-	E	-	F	Element Series	A	D	E
EFMT	1	CB	11	B	-	M03	-	V50	EPU	1	B	M03

Select the code for each filter (or element) feature according to your requirements and place it in the sequence (see example above) to create the corresponding product order code.

### A Size Flow Rate

1	30 l/min
2	60 l/min
3	110 l/min

### B Connection Ports

CB	15mm
----	------

### C By-pass Valve

00	No
11	6.0 bar
X	special

### D Seal

B	NBR
V	FPM

### E Media Material Filtration Collapse Pressure

P10	Cellulose	10µm	10 bar
P20	Cellulose	20µm	10 bar
M03	Fibreglass	5µm	21 bar
M05	Fibreglass	7µm	21 bar
M10	Fibreglass	12µm	21 bar
M20	Fibreglass	21µm	21 bar
H03	Fibreglass	5µm	210 bar
H05	Fibreglass	7µm	210 bar
H10	Fibreglass	12µm	210 bar
H20	Fibreglass	21µm	210 bar
Y25	Wire Mesh	25µm	30 bar
Y60	Wire Mesh	60µm	30 bar

### F Indicator

F Indicator	Connection
00	No
V50	5 bar visual M20*1.5 Thread
E50	5 bar visual/electrical M20*1.5 Thread
E50S	5 bar electrical M20*1.5 Thread
E50T	5 bar electrical with thermostat (30°C) M20*1.5 Thread