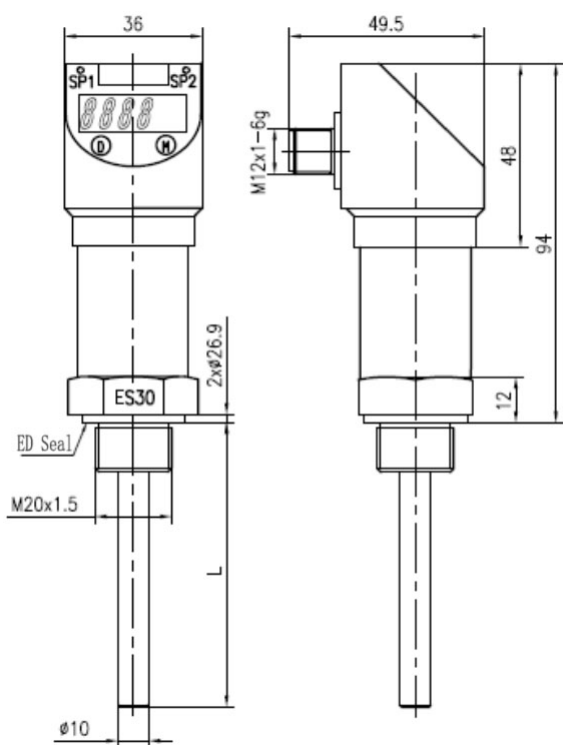


Liquid temperature sensor(EAVE series)

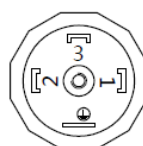
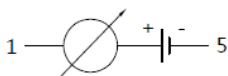
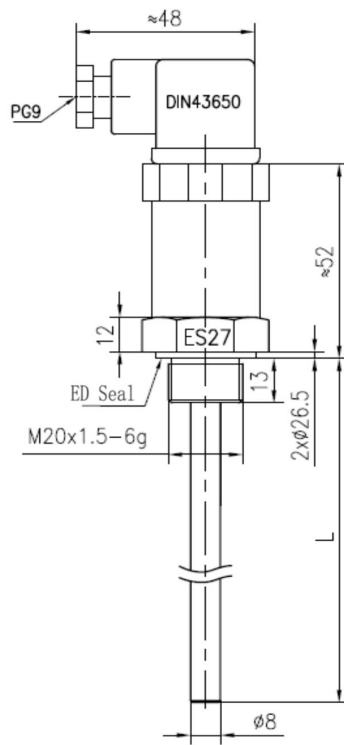
Temperature range :	-20°C ~ 85°C
Instrument plug:	EAVE-I: M12*1-6g EAVE-P: DIN43650A
Voltage resistance value:	MAX 45PSI
Protective pipe materials:	304
Degree of protection :	IP65
Electrical characteristics:	24VDC
Measurement accuracy:	0.5%FS
Output signal:	Tow-wire current signal 4-20mA
Temperature range:	-100°C ~ 500°C



EAVE-I



EAVE-P



Type	Length(L)	Seal		Temperature range
EAVE-I-M20	According to customer requirements	B	Buna	-100°C~500°C
EAVE-P-M20		V	Viton	
Selection of the sample				
EAVE-I-M20	500	B		-25°C~100°C