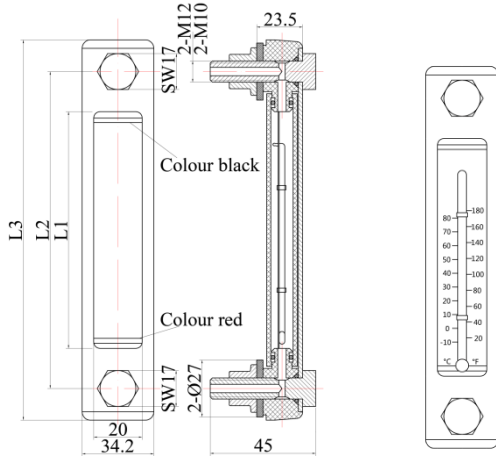


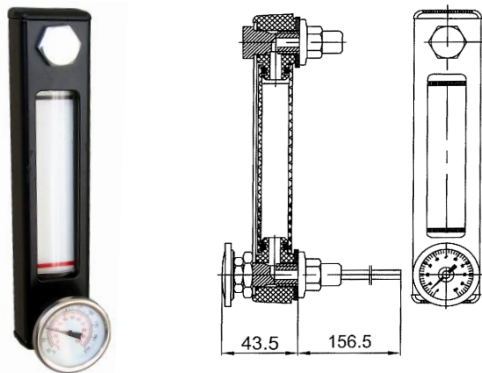
Metal level indicators with optional internal or external thermometer or thermo switch (EAVT series)

Temperature range: -20°C to 100°C
 Installation torque: 8 – 10 Nm

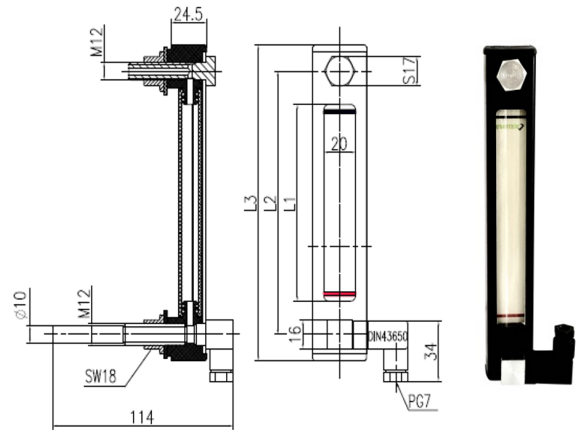
EAVT with MIN & MAX indicator &
 EAVT-I with internal thermometer



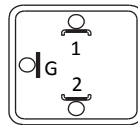
EAVT-G with external thermometer



EAVT-S with thermo switch



Thermo Switch Connection



Connector: DIN43650
 Wiring: 1-2 (NC)
 Voltage: 250 VAC
 Current: 2 A

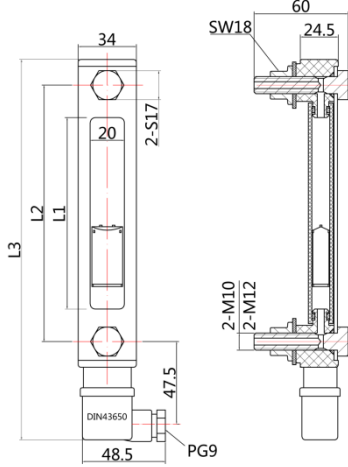
Type	Length L2	L1	L3	Seal	Screw size	Screw material	Thermo switch			
EAVT	076	38	106	B	M10 (EAVT & -I only)	Z Zinc Plated	EAVT-S only			
	080	41	110				T60	60°C	NO	Normally Open at set temperature
EAVT-I	100	61	130	V	M12	S Stainless Steel				
	127	88	157							
EAVT-G	150	111	180	B	M12	Z	T70	70°C	NO	Normally Open at set temperature
	160	121	190							
EAVT-S	176	137	206	V	M12	S Stainless Steel	T80	80°C	NC	Normally Close at set temperature
	200	161	230							
EAVT-S	254	2x90	284	B	M12	Z	T70	70°C	NO	Normally Open at set temperature
	381	3x100	411							
EAVT-S		150		B	M12	Z	T70		NO	

Technical specification subject to change without prior notice. Other specification on request. 2015/10/15

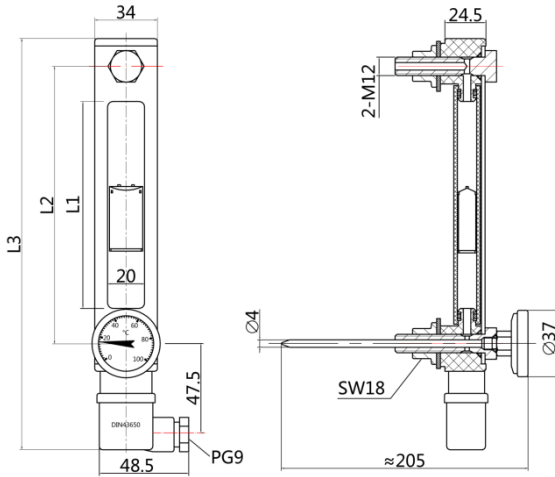
Metal level indicators with level switch & optional external thermometer or thermo switch (EAVT series)

Temperature range: -20°C to 100°C
 Installation torque: 8 - 10 Nm

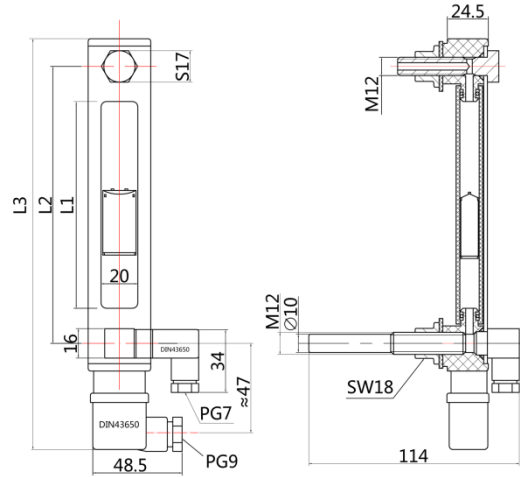
EAVT-L with level switch



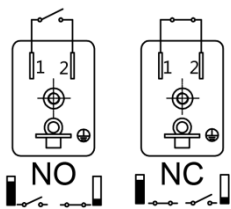
EAVT-LG with level switch & external thermometer



EAVT-LS with level & thermo switch

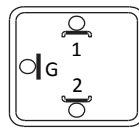


Level Switch Connection



Connector: DIN43650
 Wiring: 1-2 (NO or NC)
 Voltage: 12 - 50 V AC/DC
 Power: 5 W AV

Thermo Switch Connection



Connector: DIN43650
 Wiring: 1-2 (NO&NC)
 Voltage: 250 VAC
 Current: 2 A

Type	Length L2	L1	L3	Seal	Screw size	Screw material	Level switch	Thermo switch	
EAVT-L	127	88	199	B Buna	M10 (EAVT-L only)	Z Zinc plated	NO Normally open	EAVT-LS only	
	150	111	222					T60 60°C	NO
EAVT-LG	176	137	248	V Viton	M12	S Stainless steel	NC Normally closed	T70 70°C	NC
	200	161	272					T80 80°C	
EAVT-LS	254	2x90	326					T70 70°C	NO
	381	3x100	453						
EAVT-LS		127		B	M12	S	NC	T70	NO

Technical specification subject to change without prior notice. Other specification on request. 2015/10/15